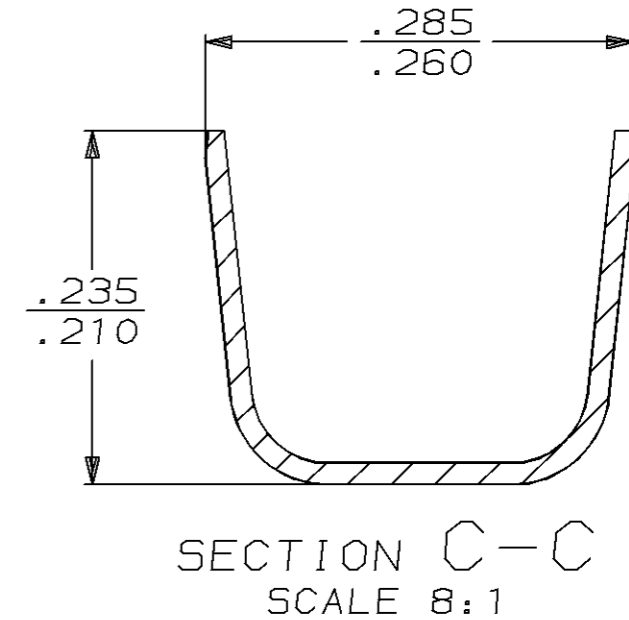
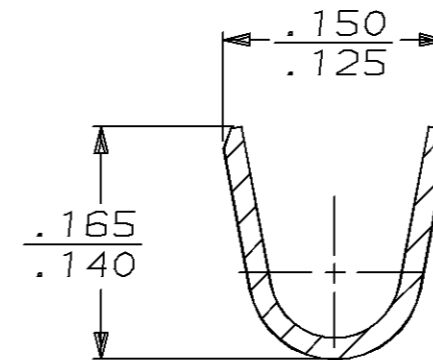
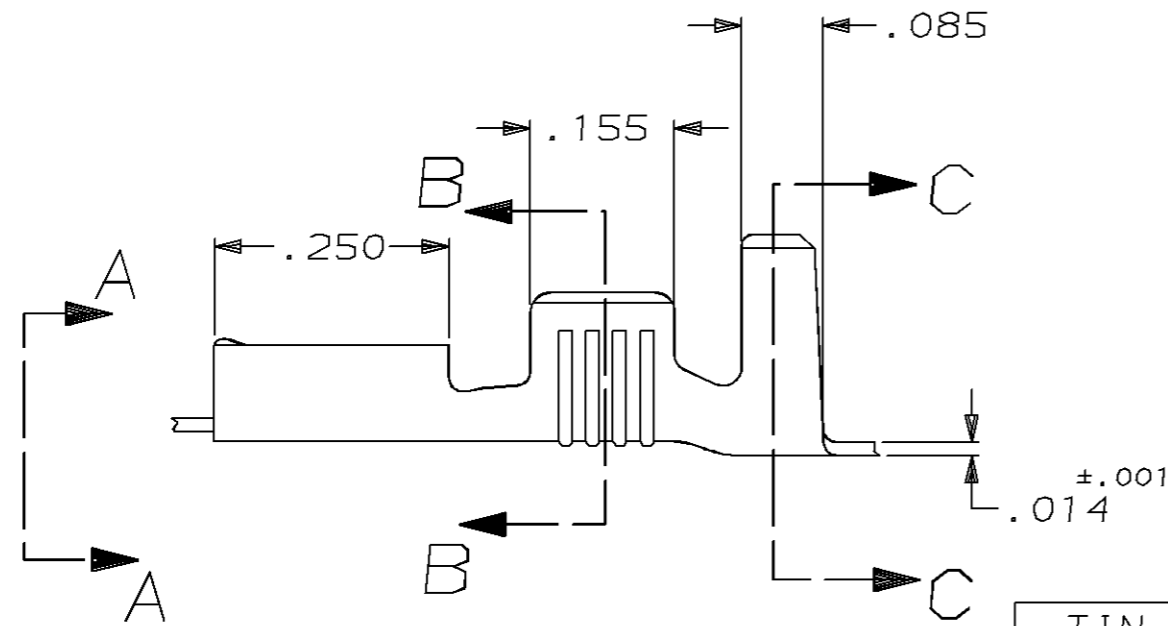
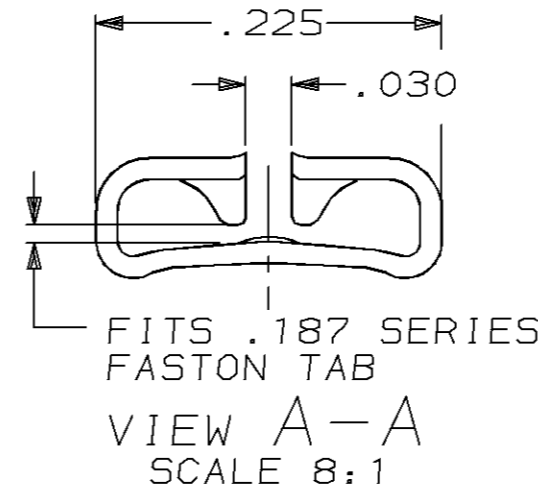
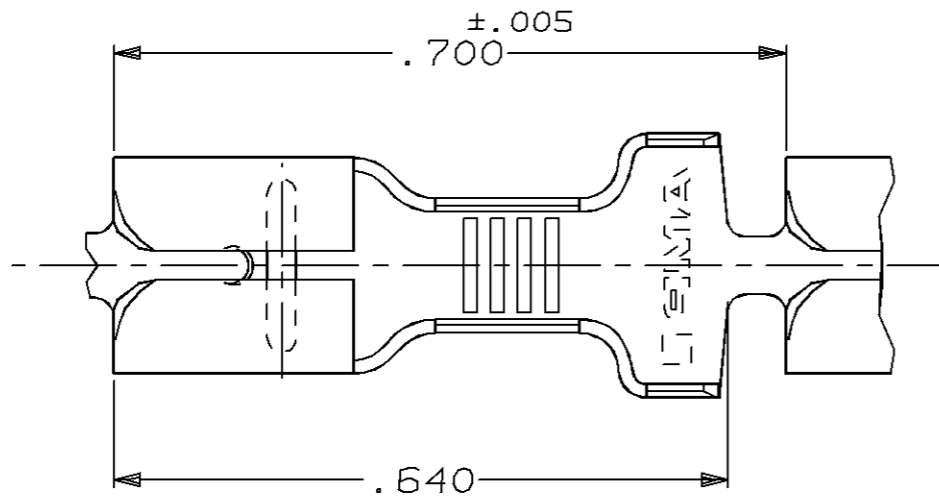


THIS DRAWING IS UNPUBLISHED. RELEASED FOR PUBLICATION, 19 .
 © COPYRIGHT 19 BY AMP INCORPORATED. ALL INTERNATIONAL RIGHTS RESERVED.

LOC	DIST	P	F	ZONE	LTR	REVISIONS	DATE	APPD
AF	50				G	REV PER 0710-0104-96	3/20/96	JR/PD

- 1 TIN PLATE .000080 MIN THK.
- 2 CONTINUOUS STRIP ON REELS.



TIN Δ	.180 - .230 OR (2) .110 MAX	18-14 OR (2) #16'S	.020	60742-2 60742-1
FINISH	INSUL RANGE	WIRE SIZE	MATING TAB THK ±.001	PART NO
	DO NOT SCALE PRINT. UNLESS SPECIFIED DIMENSIONS ARE IN INCHES TOLERANCES ON: 2 PLC DEC ± - 3 PLC DEC ± .010 ANGLES ± -	DR 3/14/90 JR RUTH CHK 3/14/90 MS FEHER APPD 3/14/90 C MEYERS APPD 3/14/90 R KUZO PRODUCT SPEC -	AMP AMP INCORPORATED Harrisburg, Pa. 17105 NAME RECEPTACLE, FASTON™ .187 SERIES	
	MATERIAL #4H BRASS	APPLICATION SPEC - WEIGHT -		
	FINISH SEE TABLE		DRAWING NO 60742	SHEET 1 OF 1